

Item No	Type	Ref	Part No	SC Description	Qty	Unit
001			664754-9	CORD W/PLUG 3P-16-5.0M, SJ	1	PC.
002			682505-8	CORD GUARD 10-90	1	PC.
003			953106-2	RIVET 0-5	2	PC.
004			856822-4	NAME PLATE 7104L	1	PC.
005			687001-1	STRAIN RELIEF	1	PC.
006			652014-1	PAN HEAD SCREW M4X8	1	PC.
007			911123-8	PAN HEAD SCREW M4X14	2	PC.
008			341570-3	GRIP HOLDER R	1	PC.
009			911226-8	PAN HEAD SCREW M5X18	3	PC.
010			911206-4	PAN HEAD SCREW M5X10	2	PC.
011	2		188494-0	* SWITCH CASE SET (WITH HOLE)	1	PC.
012			651024-5	SWITCH HPAH6-2S	1	PC.
014			157044-2	GEAR HOUSING	1	PC.
		INC.		Item No. 90		
015	2		153417-7	MOTOR HOUSING COM. (OLD# 156655-0 - N/L/A)	1	PC.
		INC.	643653-8	BRUSH HOLDER 6.5-13.5	2	PC.
		INC.	913206-0	SET SCREW M5X8	2	PC.
		INC.		Item No. 89		
	3		142199-6	MOTOR HOUSING COM. (OLD# 156655-0 - N/L/A)	1	PC.
		INC.	643653-8	BRUSH HOLDER 6.5-13.5	2	PC.
		INC.	913206-0	SET SCREW M5X8	2	PC.
		INC.		Item No. 89		
016			681002-1	INSULATION WASHER	2	PC.
017	2		194986-9	CARBON BRUSH CB-154 2PC/SET (W/ ORIGIN)	1	SET
	Opt.2		194987-7	A.C. CARBON BRUSH CB-155 2PC/SET (W/ ORIGIN)	1	SET
018			643650-4	BRUSH HOLDER CAP 6.5-13.5	2	PC.
019			911226-8	PAN HEAD SCREW M5X18	3	PC.
020			273416-4	GRIP 25	1	PC.
021			341571-1	GRIP HOLDER L	1	PC.
022			911206-4	PAN HEAD SCREW M5X10	2	PC.
023			231747-7	TENSION SPRING 20	1	PC.
024			265254-8	HEX. BOLT M8X44	1	PC.
025			931402-8	HEX. NUT M8	1	PC.
026			331162-6	LEVER C	1	PC.
027			231551-4	TORSION SPRING 12	1	PC.
028			256114-5	PIN 10	1	PC.
029			951116-3	SPRING PIN 4-20	1	PC.
030			341746-2	CHAIN COVER	1	PC.
031			265253-0	HEX. BOLT M10	1	PC.
032			942253-4	SPRING WASHER 10	1	PC.
033			941252-3	FLAT WASHER 10	1	PC.
034			251852-4	SCREW M8X28	1	PC.
035			951116-3	SPRING PIN 4-20	1	PC.
036			265254-8	HEX. BOLT M8X44	1	PC.
037			931402-8	HEX. NUT M8	1	PC.
038			232068-0	LEAF SPRING	1	PC.
039			911109-2	PAN HEAD SCREW M4X8	2	PC.
040			911908-2	PAN HEAD SCREW M5X80	4	PC.
041			921222-8	HEX. BOLT M5X16	3	PC.
042			931202-6	HEX. NUT M5	3	PC.
043			951172-3	SPRING PIN 5-32	1	PC.

Item No	Type	Ref	Part No	SC Description	Qty	Unit
044	2		310568-1	FRONT HOUSING	1	PC.
045			253042-5	FLAT WASHER 24	2	PC.
046			951213-5	SPRING PIN 6-24	1	PC.
047			951116-3	SPRING PIN 4-20	1	PC.
048			261022-7	RUBBER WASHER 24	2	PC.
049			951181-2	SPRING PIN 5-45	1	PC.
050	2		319052-3	CARRY HANDLE	1	PC.
051			325057-3	DEPTH GAUGE	1	PC.
052			951151-1	SPRING PIN 5-12	1	PC.
053			231543-3	TORSION SPRING 13	1	PC.
054			257005-3	RING 8	1	PC.
055			341585-0	HOOK	1	PC.
056			251215-4	+ PAN HEAD SCREW I6	1	PC.
057			252409-4	NUT M10-20	1	PC.
058			924316-8	WING BOLT M6X15	1	PC.
059			231005-1	COMPRESSION SPRING 7	1	PC.
060			931402-8	HEX. NUT M8	1	PC.
061			816045-6	INDICATION PLATE	1	PC.
062			911109-2	PAN HEAD SCREW M4X8	2	PC.
063			341588-4	INDICATOR PLATE	1	PC.
064			911109-2	PAN HEAD SCREW M4X8	1	PC.
065	2		142198-8	BASE COMPLETE	1	PC.
		INC.	951172-3	SPRING PIN 5-32	2	PC.
066			253042-5	FLAT WASHER 24	2	PC.
067			411723-9	BELLOWS	2	PC.
068			231289-1	COMPRESSION SPRING 25	2	PC.
069			341745-4	DISC	1	PC.
070			951213-5	SPRING PIN 6-24	2	PC.
071	2		310569-9	CHAIN BAR HOLDER	1	PC.
072			951178-1	SPRING PIN 5-40	1	PC.
074			325330-1	HEAD SHAFT	1	PC.
076			211076-4	BALL BEARING 1008LL	1	PC.
077			943152-3	TOOTHED LOCK WASHER 6	1	PC.
078			251258-6	+ COUNTERSUNK HEAD SCREW M6X12	1	PC.
079			211106-1	BALL BEARING 6201LLB	1	PC.
080			213102-5	DUST SEAL 12	1	PC.
081			241513-4	FAN 92	1	PC.
082			514611-0	ARMATURE ASS'Y 115V	1	PC.
		INC.		Item No. 79,80,81,83,84		
083			213051-6	DUST SEAL 10	1	PC.
084			211066-7	BALL BEARING 6200LLB	1	PC.
086			524566-1	FIELD ASS'Y 115V	1	PC.
		INC.	654020-2	RING TERMINAL	2	PC.
		INC.	654502-4	CONNECTOR P-2	2	PC.
087			254001-2	WOODRUFF KEY 4	1	PC.
088			911300-2	PAN HEAD SCREW M5X75	2	PC.
089			263002-9	RUBBER PIN 4	1	PC.
090			263005-3	RUBBER PIN 6	1	PC.
091			931502-4	HEX. NUT M10	1	PC.
092			942253-4	SPRING WASHER 10	1	PC.
093			941252-3	FLAT WASHER 10	1	PC.
094			257017-6	RING 15	1	PC.

Item No	Type	Ref	Part No	SC Description	Qty	Unit
095			221501-7	SPROCKET 4	1	PC.
096			211311-0	BALL BEARING 6304LLB	1	PC.
097			321373-1	SPINDLE	1	PC.
098			221671-2	HELICAL GEAR 47	1	PC.
099			253197-6	FLAT WASHER 10	1	PC.
100			212066-0	NEEDLE BEARING 1015	1	PC.
101			133014-5	LEVER 98 ASS'Y (OLD# 272202-0)	1	PC.
		INC.		Item No. 126		
102			265235-2	HEX. BOLT M12X34	1	PC.
103	2		319050-7	VICE ELEMENT	1	PC.
104			321380-4	SCREW M14	1	PC.
105			951116-3	SPRING PIN 4-20	1	PC.
106			253180-3	FLAT WASHER 10	1	PC.
107			231287-5	COMPRESSION SPRING 10	1	PC.
108			951172-3	SPRING PIN 5-32	2	PC.
109			154282-7	LEVER B COMPLETE	1	PC.
		INC.	253808-3	FLAT WASHER 9	1	PC.
		INC.	257075-2	RING 9	1	PC.
110			921421-2	HEX. BOLT M8X16	2	PC.
111			341587-6	STOPPER	1	PC.
112			941201-0	FLAT WASHER 8	2	PC.
113			271610-2	KNOB 40	2	PC.
114			341569-8	CLAMP LEVER	1	PC.
115			256106-4	PIN 9	1	PC.
116			951116-3	SPRING PIN 4-20	2	PC.
117			257075-2	RING 9	1	PC.
118			253808-3	FLAT WASHER 9	1	PC.
119			256623-4	PIN 9	1	PC.
120			253808-3	FLAT WASHER 9	1	PC.
121			257561-3	SLEEVE 9	1	PC.
122			231746-9	TENSION SPRING 9	1	PC.
123			951110-5	SPRING PIN 4-16	1	PC.
124			321381-2	SLIDE BAR	1	PC.
125			951163-4	SPRING PIN 5-20	1	PC.
126			911207-2	PAN HEAD SCREW M5X10	1	PC.
127			321382-0	GUIDE POLE	1	PC.
128			231286-7	COMPRESSION SPRING 36	1	PC.
129			231285-9	COMPRESSION SPRING 48	1	PC.
130	1		315216-7	WISE SHOE	1	PC.
	2		319049-2	WISE SHOE	1	PC.
131			321232-9	WISE SHAFT	1	PC.
132			253011-6	FLAT WASHER 6	1	PC.
133			911356-5	PAN HEAD SCREW M6X35	1	PC.
134			951166-8	SPRING PIN 5-24	1	PC.
135			253808-3	FLAT WASHER 9	1	PC.
136	2		319053-1	FRONT VICE	1	PC.
137			257562-1	SLEEVE 9	1	PC.
138			951116-3	SPRING PIN 4-20	1	PC.
139			253180-3	FLAT WASHER 10	1	PC.
140			961012-7	STOP RING E-6	1	PC.
141			133201-6	HANDLE ASS'Y	1	PC.
		INC.		Item No. 140,142,143		

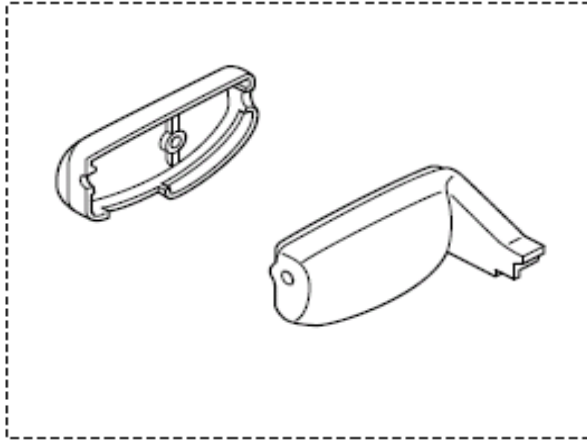
Item No	Type	Ref	Part No	SC Description	Qty	Unit
142			271607-1	KNOB 20	1	PC.
143			256614-5	PIN 8	1	PC.
200			652014-4	P.H. SCREW M4X8	4	PC.
201			654002-4	EYE TERMINAL 1.25-M4	4	PC.
ACCESSORIES		- See catalogue or visit www.makita.ca for other optional accessories -				
A01			A-16570	5/8" CUTTER CHAIN	1	PC.
	Opt.		A-16564	9/16" CUTTER CHAIN	1	PC.
	Opt.		A-16586	11/16" CUTTER CHAIN	1	PC.
	Opt.		A-16592	51/64" CUTTER CHAIN	1	PC.
	Opt.		A-16601	15/16" CUTTER CHAIN	1	PC.
	Opt.		A-16617	CUTTER CHAIN 30.0MM	1	PC.
A02			781204-0	WRENCH 13-17	1	PC.
A03	1		182229-1	CHAIN OIL SUPPLY 100 CC W/O ORIGIN	1	PC.
	2		199897-3	CHAIN OIL SUPPLY 100 CC	1	PC.
A04	Opt.		221502-5	SPROCKET 4 (FOR 30.0MM)	1	PC.
A05	Opt.		123028-2	SHARPENING HOLDER ASS'Y (Optional)	1	PC.
		INC.	934401-9	WING NUT M8	1	PC.
		INC.	941201-0	FLAT WASHER 8	1	PC.
		INC.	921445-8	HEX. BOLT M8X25	1	PC.
A06			133571-3	CHAIN BAR ASS'Y F/15-24MM	1	PC.
		INC.		Item No. 74,76-78		
A06	Opt.		122235-4	CHAIN BAR F/30.0MM (Optional)	1	PC.

SERVICE CHANGES

1. Changes on Switch Case Set

Item No.	Description	Type 1	Type 2
011	Switch Case Set	181298-9	188494-0

Type1



Type2

